

Nuventura's - Dry Air GIS

Primary Distribution up to 40.5kV

Nuventura's gas-insulated switchgear (GIS) replaces SF₆, the world's strongest greenhouse gas with climate-friendly **dry air** insulation.

This is accomplished while retaining SF₆-GIS benefits:

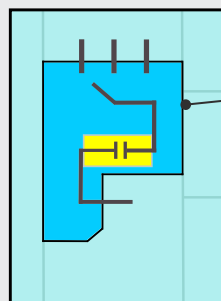
- ✓ Compact dimensions
- ✓ High reliability
- ✓ Maintenance-free design

Our flexible partnership approach enables the **switchgear suppliers to expand their products portfolio** by purchasing primary panels or core modules to incorporate into their designs.

Our **products are also available for deployment in projects** by end-users or EPCs i.e. for utility, industry, or renewable applications.

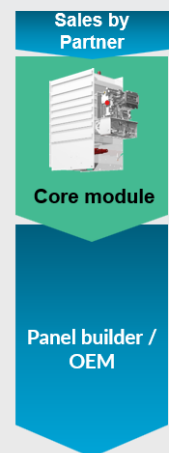
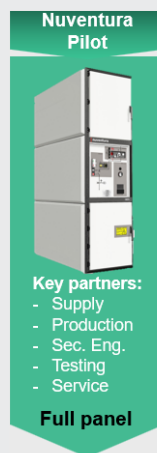
Dry Air GIS technology
combining the best of SF₆-GIS and
AIS

For everyone
Panel builders & OEMs, End-users & EPCs



Dry air GIS

- ✓ 100% dry air insulation
- ✓ As compact as SF₆ GIS
- ✓ Sealed from ambient impacts
- ✓ Maintenance free



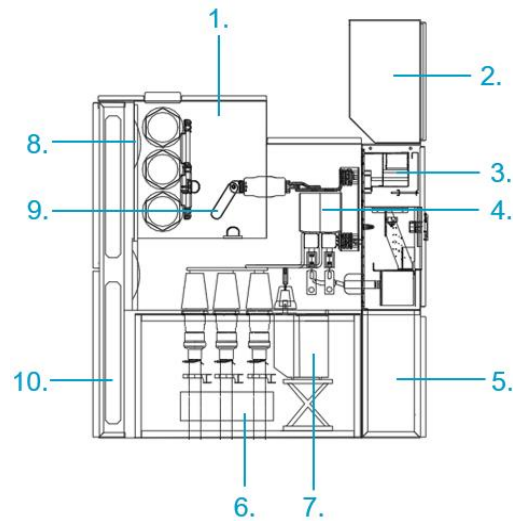
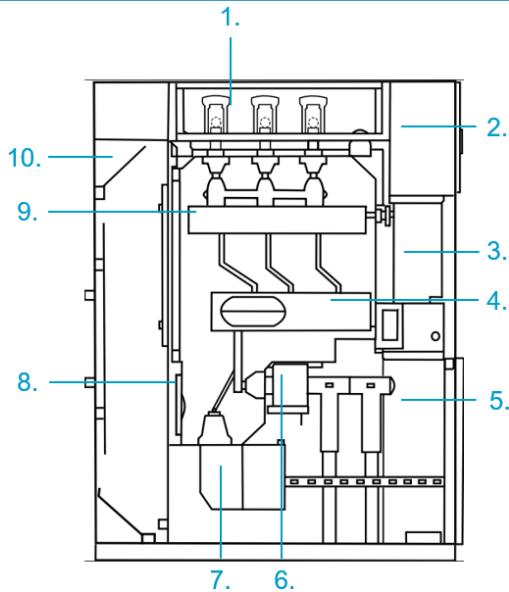
End-user / EPC

Technical data				
Intl Technical standards	kV	IEC 62271-200		ANSI/IEEE C37.20.2 & GB/T 3906
		24	36	38/40.5*
Rated voltage	kV	24	36	38/40.5*
Testing voltage (PF/Impulse)	kV	50/125	70/170	80/200 (ANSI) and 95/185 (GB)
Rated frequency	Hz	50/60*		
Rated busbar current	A	2500**		1250/2500
Rated feeder current	A	1250/2000*		1250/2500
Rated short time current	kA	31.5 (3s)		31.5 (4s)
Internal arc protection AFLR	kA	31.5 (1s)		31.5 (1s)
Dimensions				
Width	mm	650 (1250 A)		650 (1250 A)
		900 (2000 A)		900 (2500 A)
Height	mm	2300		2360
Depth	mm	1500		1800*
Dry air insulation medium				
Filling pressure (rel.)	kPa	100 at 20 °C	200 at 20 °C	240 at 20 °C
Min. operating pressure (rel.)	kPa	80 at 20 °C	180 at 20 °C	220 at 20 °C
Operating temperature	°C	-5 ... +40		-15 ... +40

* Type-testing in progress. ** 2000 A with bus sectionalizer

24kV & 36kV

38kV & 40.5kV



1. Busbar compartment
3. Drive Mechanism
5. Cable compartment
7. Voltage transformer
9. Three position disconnecter

2. Low voltage compartment
4. Vacuum circuit breaker
6. Current transformer
8. Pressure relief disc
10. Pressure relief duct